

# Longer Standard Size Flat Slider Bed Conveyor

# GRAINWAY



These are conveyors used under aeration floors for larger bins in the 54' to 75' diameter range.

Use top mount or side mount drive systems

The conveyor has a 6 1/2" drive roller

The conveyor is 13" wide with a 12" wide belt

8 1/2" sidewall

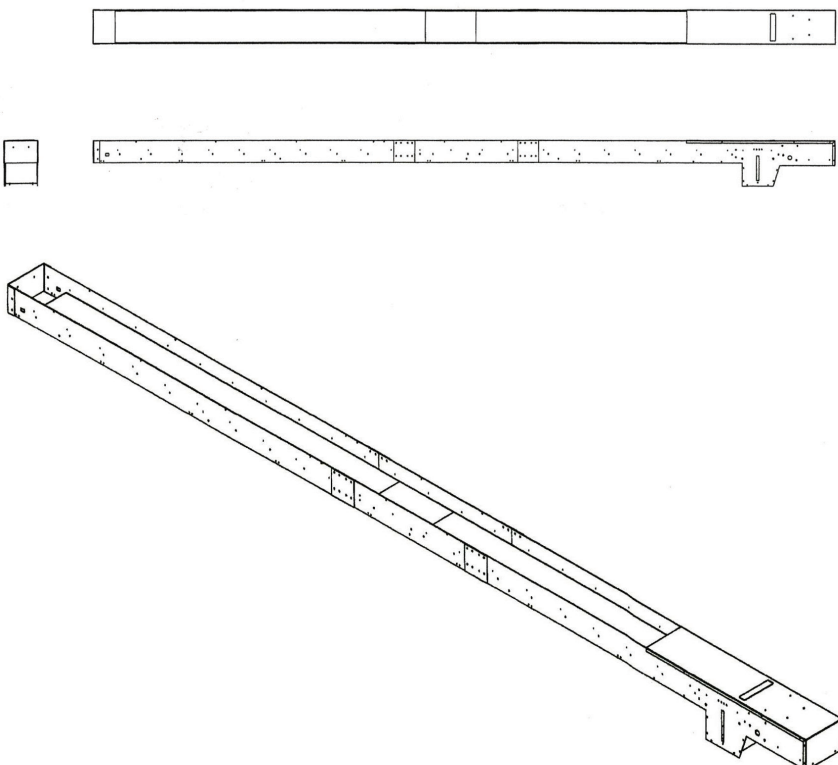
Belt glides on a smooth steel surface

Fits easily under bin aeration floors

Maximum capacity is 5000 bu/hr

These conveyors are used a lot in cleaning facilities

**We do custom lengths and custom speeds with this style of conveyor**



## Longer Standard Size Flat Slider Bed Conveyors

	5460 - F - XL	7500 - F - XL
Conveyor Length	38' 7"	46' 7"
Bin Size	54' to 60'	60' to 75'
Belt Speed 526 ft/min	5000 bu/hr	5000 bu/hr
Belt Speed 396 ft/min	3800 bu/hr	3800 bu/hr
Belt Speed 297 ft/min	2800 bu/hr	2800 bu/hr
Belt Speed 234 ft/min	2200 bu/hr	2200 bu/hr
Belt Speed 199 ft/min	1900 bu/hr	1900 bu/hr
Belt Speed 164 ft/min	1600 bu/hr	1600 bu/hr
Belt Speed 149 ft/min	1400 bu/hr	1400 bu/hr
Belt Speed 119 ft/min	1100 bu/hr	1100 bu/hr